



Competence in Transferprinting Systems

3t-Innovations stands for universal transferprinting technology on cotton and all other natural fibers.

We as your partner want to carry out creative ideas of transferprinting technology successfully and offer you innovative ideas and concepts more economically on a full based ecology.

Discover innovative
Creativity with SNP-technology



Transferprints & SNP-technologies

S N P - T e x n o l o g y o f f e r s y o u



→ %100 COTTON KNITTED



→ %100 NATURAL SILK



→ %100 LINEN WOVEN

- Best printing technology
- All advantages of transferprinting for natural fibers
- Suitable for all natural fibers
- Usual transfer papers on disperse dyes basis can be used
- No investment is required
- System-integration into existing mill and application in conventional or new processing systems
- Reduction of water/waste water and chemical demands
- Innovative, ecologically safe and economic products
- Perfect synchronization at all stages of the manufacturing process
- Development and production from single source

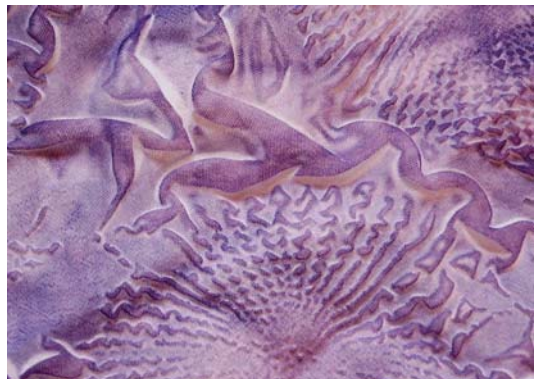
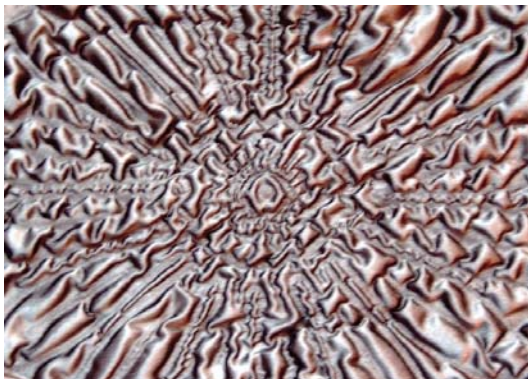


%100 JUTE WOVEN ←

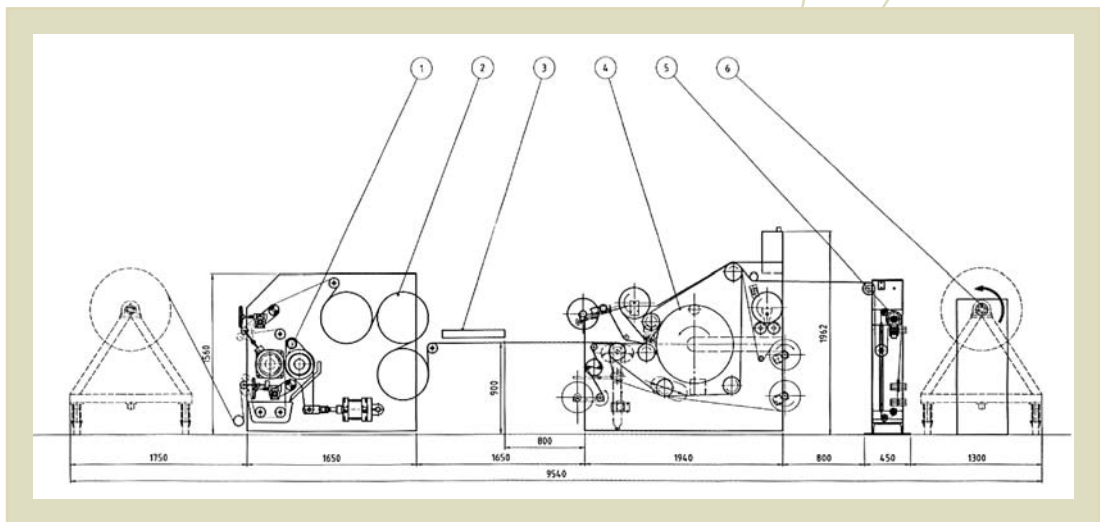
Relief transferprint technology

R T P - T e x n o l o g y o f f e r s y o u

- Intelligent relief technology
- Axial, vertical and biaxial applications
- Combined with advantages of transferprinting
- Suitable for PES, PAM other fibers presently with limitation
- Usual transfer papers of disperse dyes basis can be used
- Reduction of water/waste water
- Replacing crinkle and crush machine
- Optimized product choice



Transferprinting systems on natural fibers relieftransfer systems from one source



- Customer tailored products
- Special concepted machinery
- Technology application, know-how transfer



Texcon Textile Consulting & Trading GmbH
Boeninghausenstr. 46 D-41066 Moenchengladbach
Tel:+49-(0)2161-85654 Fax:+49-(0)2161-88452
info@3t-textologies.com, texcond@aol.com
www.3t-textologies.com